

CUBBY HOUSE NEWS

April 2021



THE CUBBY HOUSE TURNERS & WOODIES INC

“Cubby House” Oyster Bay Oval Como Road Oyster Bay NSW 2225
PO Box 128 Oyster Bay NSW 2225.

Phone: - 0430 612 339; Email: - johnmoss212447@gmail.com

Website: <https://oysterbaycubbyhouse.com.au>

Executive Committee Contact Details

PATRON	Pat Thorpe	02 9524 2504
PRESIDENT	Keith Jones	02 9785 2354
VICE PRESIDENT	Phillip Dean	0416 090 289
SECRETARY	Glenn Lavender	0417 482 452
TREASURER	Steve Hooper	0401 987 003

THIS ISSUE

Minutes of Committee Meeting	2
President’s Report	2
Show and Tell	3-5
March Maxi Day Happy Snaps	5
Article – Turning Exercise – Baby Rattle	6-7
Event Calendar for 2021	8

APRIL BIRTHDAYS

Simon Hardman
Daniel Harsas
Keith Jones
Ann Moss
Paddi Thorpe
Robert Van Veen

Minutes Committee Meeting 12th April 2021

Present: Keith Jones, Frank Williams, Thomas Hill, John Field, Simon Hardman, Keith Moses, Trevor Simpson, Keith Allen, Graham Stokes, Barry Belford, John Moss, Alan Pentecost, Phil Dean, Michael Bryant, Glenn Lavender

Apologies: Paddy Thorpe, Steve Hooper

Minutes: Propose that the minutes of previous meeting held 15th March 2021 as taken as read:
Moved by Barry Belford Second by: Keith Moses

Correspondence in:

Shire Woodworking newsletter has been received, this has been posted for general reading currently on notice board.

2 x email request from Oyster Bay Cubby House Web site for new members

Treasury report:

March income \$3,105.56
Expenses \$2,255.24

Membership:

Any Members can also pay via electronic fund transfer

Cubby House Turners and Woodies inc
Bank: CBA
BSB: 062186
Account: 10166587

Treasury report

Figures received via text as Steve was unable to attend

General Business:

Simon Hardman – Raised discussion re cubby house sign, hard to see through trees etc. Frank to raise with council if we can present more signage, members raised concerns re vandalism.

Tuesday night turners is becoming very popular, members agreed to continue for the foreseeable future.

Tuesday Week 4 challenge “inside out turning” these items will be on display on Saturday Maxi Day
Special thank you to John Moss and Alan Pentecost for the wisdom and teachings provided on Tuesday nights,

all members attending have improved turning skills considerably.

Simon Hardman:

Simon advised the www.oysterbaycubbyhouse.com.au, web site any member suggestions or contribution of web site information would be greatly appreciated, please contact Simon.

Alan Pentecost:

Maintenance on router table switch

Keith Jones:

Next Bunnings BBQ fundraiser is on 24/April, your assistance on the day would be very much appreciated, all profits go back into the club.

Keith Jones: called meeting closed 9.58 am

PRESIDENTS REPORT



Well done to Simon and John for their effort to open the club on Tuesday nights for members who can't attend Mini Days with up to nine members attending each night.

Good news about Bernie Korent who is recovering slowly from his illness but still has a long way to go.

We will be doing Bunnings BBQ on Saturday 24th April, so hope to see our group there to help.

April Maxi Day host is Michelle Brown. The theme is creative pieces for the home.

May Maxi Day host is Keith Moses and the theme is arborlecting.

Welcome to the new members who have joined our club in the past month.

Let's keep turning or anything you want.
Keith Jones - President

MARCH 2021 show and Tell
BEST DISPLAYED ITEMS



Geoff Tong

Trevor Simpson

Glenn Lavender

Best Displayed Turned Item

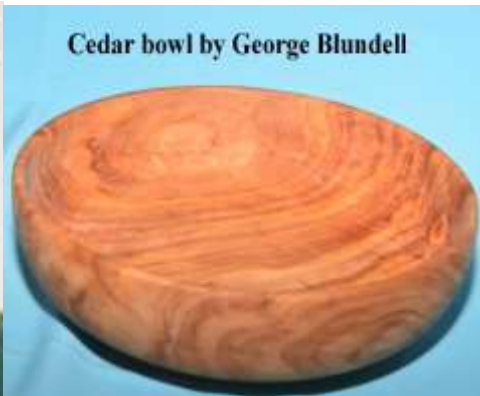
Best Displayed Joinery Item

Best Displayed Novice Turned Item

OPEN SECTION



George Blundell



Cedar bowl by George Blundell



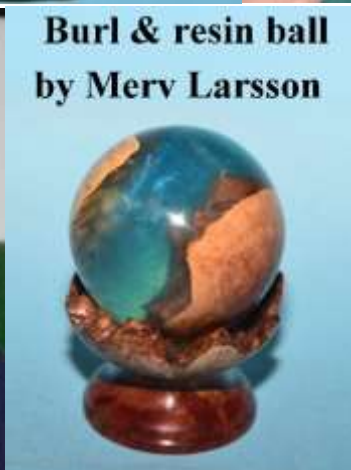
John Jansons



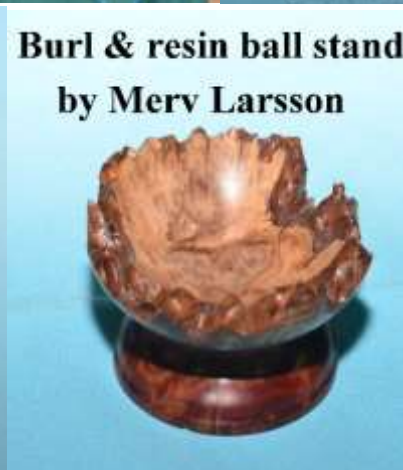
Offset Jacaranda bowl by John Jansons



Merv Larsson



Burl & resin ball by Merv Larsson



Burl & resin ball stand by Merv Larsson

OPEN SECTION



Pine turtle pond by Ann Moss



Name disc by Frank Williams



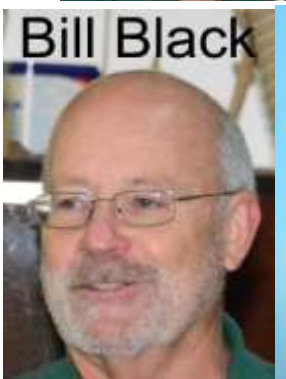
Emerging pen stands by Keith Moses



Offset Rosewood goblet with captive rings by Geoff Tong



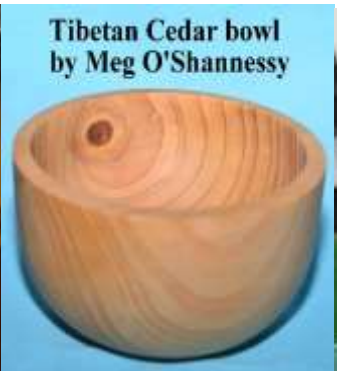
Gum leaf box in Juniper Pine & River Red Gum by Trevor Simpson



Offset vases by Bill Black



Silky Oak spinning thing by Bill Black

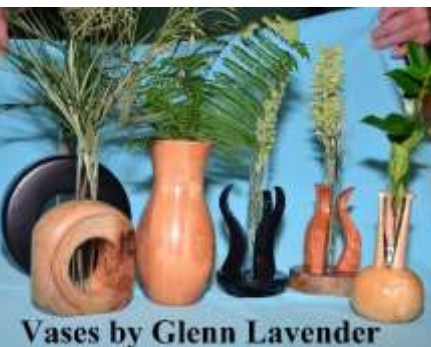
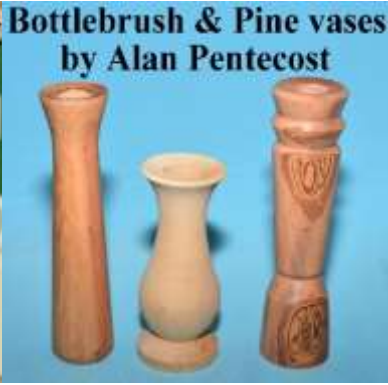


Tibetan Cedar bowl by Meg O'Shannessy



Emerging bowls by Keith Guy

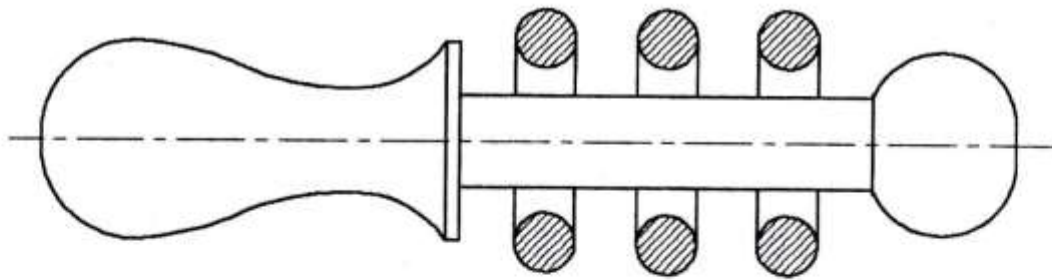
OPEN SECTION – TUESDAY NIGHT TURNERS



MARCH MAXI DAY HAPPY SNAPS

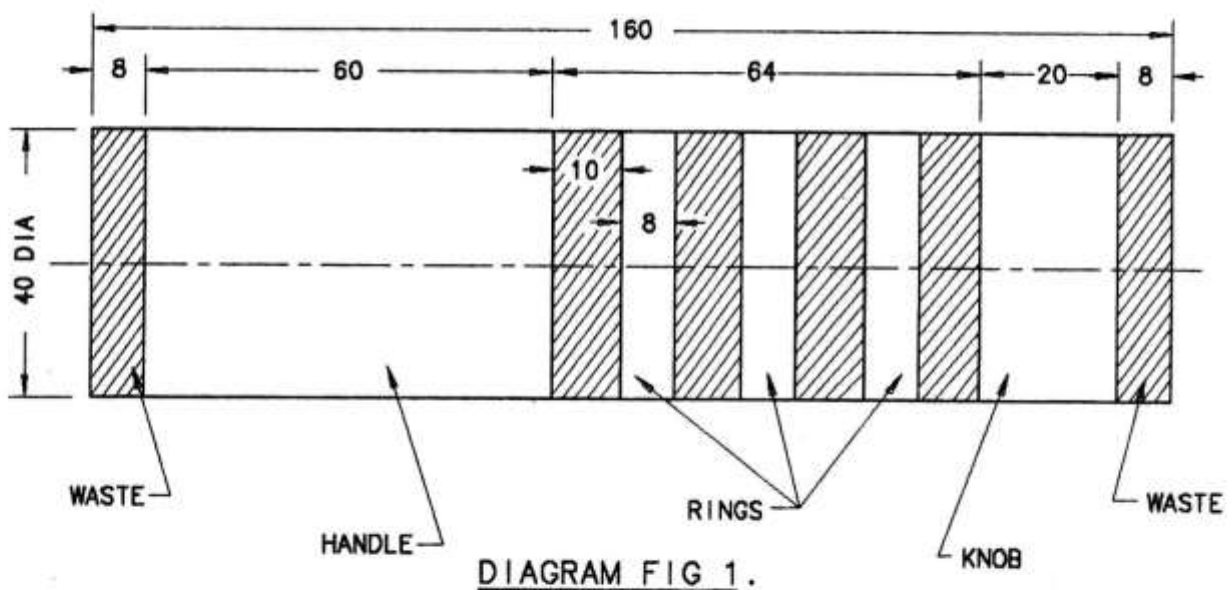


TURNING EXERCISE Thanks to Val Lipping

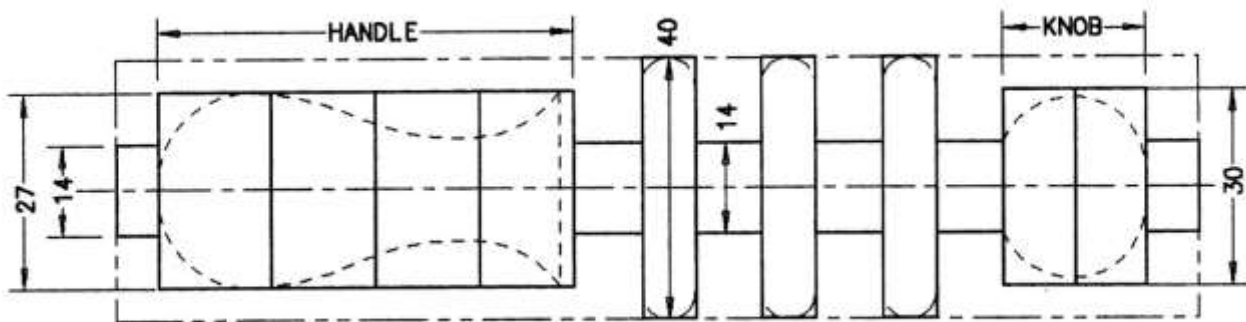


TURNING EXERCISE – A BABY RATTLE

STAGE 1 : REQUIRED TIMBER BLANK TO BE 45X45X160mm LONG
MOUNT WORK PIECE BETWEEN CENTRES AND TURN TO A CYLINDER.
MARK UP THIS CYLINDER AS SHOWN IN FIG 1.



STAGE 2 : CUT DOWN THE SHADED AREAS WITH A PARTING TOOL.
THE WASTE ENDS TO BE REDUCED TO A DIAMETER THAT WILL LEAVE SUFFICIENT STRENGTH FOR THE CENTRES.
THE FOUR REMAINING SHADED AREAS ARE TO BE CUT DOWN TO LEAVE A STEM DIAMETER APPROX. $\frac{1}{3}$ OF THE ORIGINAL CYLINDER DIAMETER (15-13mm DIA)
REDUCE THE HANDLE AND KNOB AREAS TO APPROX. $\frac{2}{3}$ OF THE DIAMETER OF THE ORIGINAL CYLINDER (27mm DIA)
FINALLY MARK UP THE HANDLE LENGTH INTO 4 EQUAL SECTIONS AND THE KNOB LENGTH INTO 2 EQUAL SECTIONS AS SHOWN IN FIG 2.



QUOTED DIMENSIONS ARE APPROXIMATE AND ARE TO BE USED AS A GUIDE DIAGRAM FIG 2.

STAGE 3: TURN THE SHAPES OF THE HANDLE AND BALL ENDS
RADIUS THE OUTSIDE EDGES OF THE RINGS
SAND ALL EXTERNAL FACES

WORKING FROM THE TAILSTOCK END, AND USING A THIN, SMALLER, PARTING TOOL, AND WORKING ON ONE RING AT A TIME, CUT THE INSIDE PROFILE OF THE RINGS. AS SHOWN IN FIG 3

BE AWARE OF MAINTAINING THE DIAMETER OF THE SPINDLE, ALLOWING SOME SIZE FOR FINAL DRESSING TO A FINISHED DIAMETER

WHEN ALL RINGS HAVE BEEN SEPARATED, CLEAN UP THE SPINDLE DIAMETER
THE INSIDE DIAMETER OF THE RINGS CAN BE SANDED BY WRAPPING SAND PAPER (SAND SIDE OUT) AROUND THE SPINDLE AND MOVING THE RINGS AROUND BY HAND
DECORATIVE GROOVES OR BEADS CAN BE ADDED TO THE SPINDLE AS DESIRED

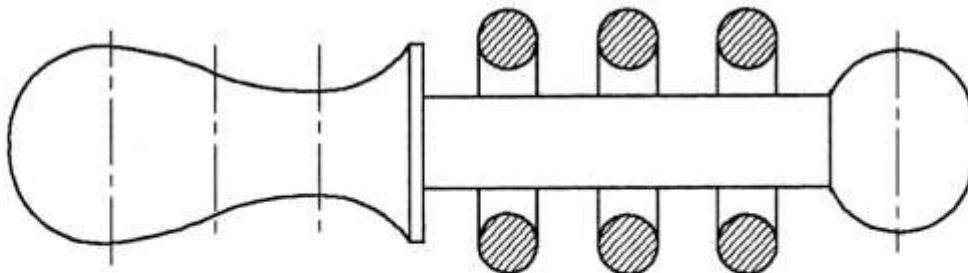


DIAGRAM FIG 3

STAGE 4: FINALLY DO ANY LAST SANDING AS REQUIRED
CUT AWAY WASTE ENDS AND HAND DRESS TO CLEAN UP

TIMBER SELECTION

USE CAUTION WHEN SELECTING A TIMBER SPECIES AND A FINISHING MATERIAL FOR THE ABOVE PROJECT, BEARING IN MIND THAT THIS ARTICLE MAY BE PUT INTO A BABIES MOUTH

THE TIMBER SELECTED FOR THE ABOVE PROJECT SHOULD BE ONE WITH A FINE GRAIN STRUCTURE, LIGHT IN COLOUR, AND GOOD END GRAIN STRENGTH
EXAMPLES WOULD BE:- ASH, LONDON PLANE, CELERY TOP PINE.

IT IS RECOMMENDED THAT THIS PROJECT BE LEFT WELL SANDED, UNSEALED, AND IN ITS RAW STATE.

Next Month's Article – Seasoning Green Timber by Fridge and Microwave

EVENT CALENDAR 2021

Note: - The following information may be subject to change in date or content,
if in doubt contact a committee member.

April

Sat 3rd Mini Day
 Tue 6th Mini Night 5 to 9 pm
 Wed 7th Mini Day
 Mon 12th Committee Meeting 0930 hrs
 Tue 13th Mini Night 5 to 9 pm
 Wed 14th Mini Day
 Sat 17th Maxi Day – Host Michelle Brown
 Demonstration – Creative piece for
 the home.
 Tue 20th Mini Night 5 to 9 pm
 Wed 21st Mini Day
 Tue 27th Mini Night 5 to 9 pm
 Wed 28th Mini Day

May

Sat 1st Mini Day
 Tue 4th Mini Night 5 to 9 pm
 Wed 5th Mini Day
 Mon 10th Committee Meeting 0930 hrs
 Tue 11th Mini Night 5 to 9 pm
 Wed 12th Mini Day
 Sat 15th Maxi Day – Host Keith Moses
 Demonstration – Arbortech
 Tue 18th Mini Night 5 to 9 pm
 Wed 19th Mini Day
 Tue 25th Mini Night 5 to 9 pm
 Wed 26th Mini Day

June

Wed 2nd Mini Day
 Sat 5th Mini Day
 Wed 9th Mini Day
 Mon 14th Committee Meeting 0930 hrs
 Wed 16th Mini Day
 Sat 19th Maxi Day – Host Alan Pentecost
 Demonstration – Handles
 Wed 23rd Mini Day
 Wed 30th Mini Day

July

Sat 3rd Mini Day
 Wed 7th Mini Day
 Mon 12th Committee Meeting 0930 hrs
 Wed 14th Mini Day
 Sat 17th Maxi Day – George Blundell
 Demonstration – Pedestal Bowls
 Wed 21st Mini Day
 Wed 28th Mini Day

August

Wed 4th Mini Day
 Sat 7th Mini Day
 Wed 11th Mini Day
 Mon 16th Committee Meeting 0930 hrs
 Wed 18th Mini Day
 Sat 21st Maxi Day – Host Merv Larsson
 Demonstration – Pens
 Wed 25th Mini Day

September

Wed 1st Mini Day
 Sat 4th Mini Day
 Wed 8th Mini Day
 Man 13th Committee Meeting 0930 hrs
 Wed 15th Mini Day
 Sat 18th Maxi Day – Host John Jansons
 Demonstration – 3 turned bowls
 conjoined (1 piece of wood)
 Wed 22nd Mini Day
 Wed 29th Mini Day

October

Sat 2nd Mini Day
 Wed 6th Mini Day
 Mon 11th Committee Meeting 0930 hrs
 Wed 13th Mini Day
 Sat 16th Maxi Day – Host Bernie Korent
 Demonstration - Wood Piercing
 Wed 20th Mini Day
 Wed 27th Mini Day

November

Wed 3rd Mini Day
 Sat 6th Mini Day
 Wed 10th Mini Day
 Mon 15th Committee Meeting 0930 hrs
 Wed 17th Mini Day
 Sat 20th Maxi Day - Paul Higgins
 Demonstration - Custom/special tools
 for jobs
 Wed 24th Mini Day

Dec Host - Keith Jones - Christmas Party